

MAFR200 series

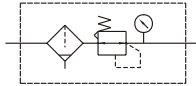
AIR UNITS (F.R.UNIT)



mindman



Symbol

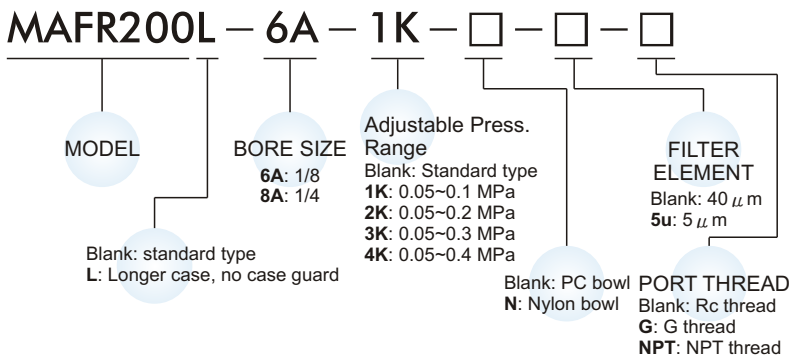


Specification

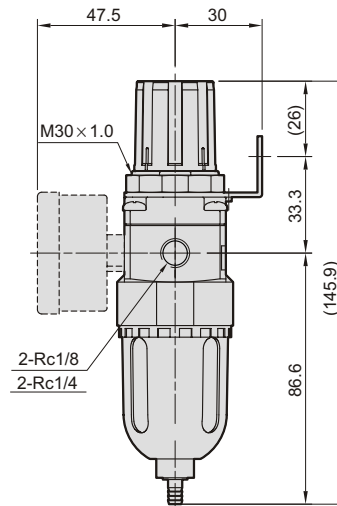
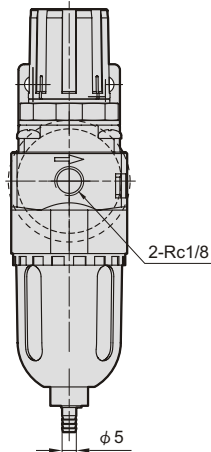
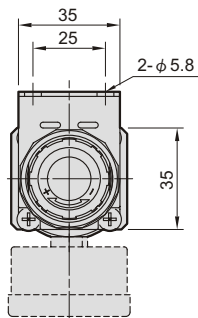
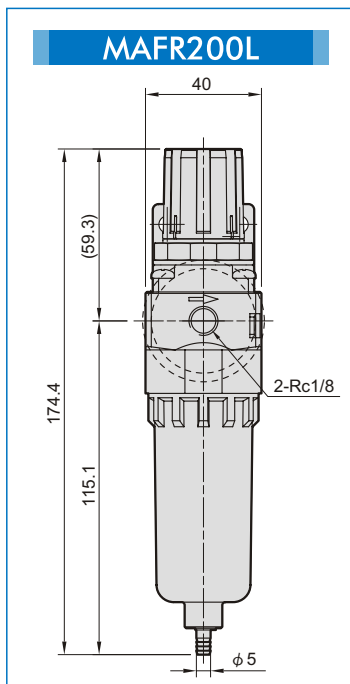
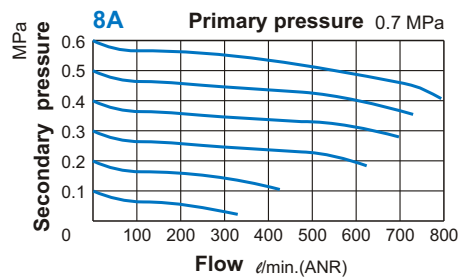
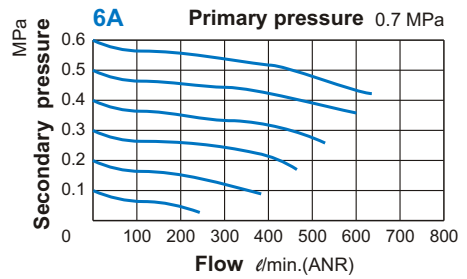
Model	MAFR200	
Bore No.	6A	8A
Port size	1/8	1/4
Medium	Air	
Operating pressure range	By order specifications	
Proof pressure	1.5 MPa	
Effective orifice	7 mm ²	13 mm ²
Regulated pressure range	0.05~0.85 MPa	
Ambient temperature	-5~+60°C (No freezing)	
Filter element	Standard: 40 μm Option: 5 μm	
Attachment	Pressure gauge (PG-40), bracket	
Weight	257 g, 226 g (MAFR200L)	

※ Standard unit contains semi-auto-drain function when operating pressure below 0.05 MPa.

Order example



Flow feature



mindman