

### Order example

**MCHH – 25 M**

MODEL

TUBE I.D.

20  
25  
40

M: Magnet

\* Magnetic as standard.

### Features

- With the same tube I.D., the gripping stroke is longer compare with other grippers.
- The plain bearing parts are hardened for longer effective life time.
- Three mounting directions are available.
- Magnetic as standard.

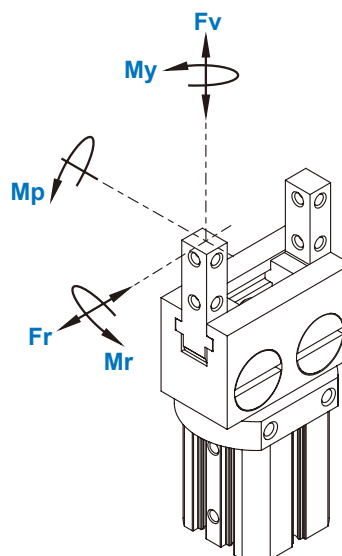
### Specification

Model	MCHH		
Acting type	Double acting		
Tube I.D. (mm)	20	25	40
Stroke	16	26	41
Medium	Air		
Operating pressure range	0.3~0.7 MPa		
Ambient temperature	-10~+60°C (No freezing)		
Lubrication (*1)	Not required		
Repeatability	± 0.03 mm		
Sensor switch (*2)	2 wire	RDFE(V): Non-contact	
	3 wire	RNFE(V): NPN, RPF(E): PNP	
Weight (kg)	0.27	0.59	1.46

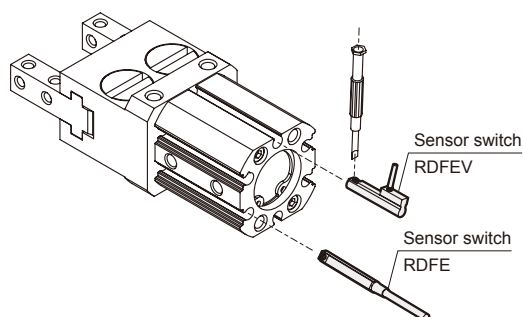
\*1. Sliding area of jaws need scheduled relubrication.

\*2. R\*FE(V) specification, please refer to page 5-10.

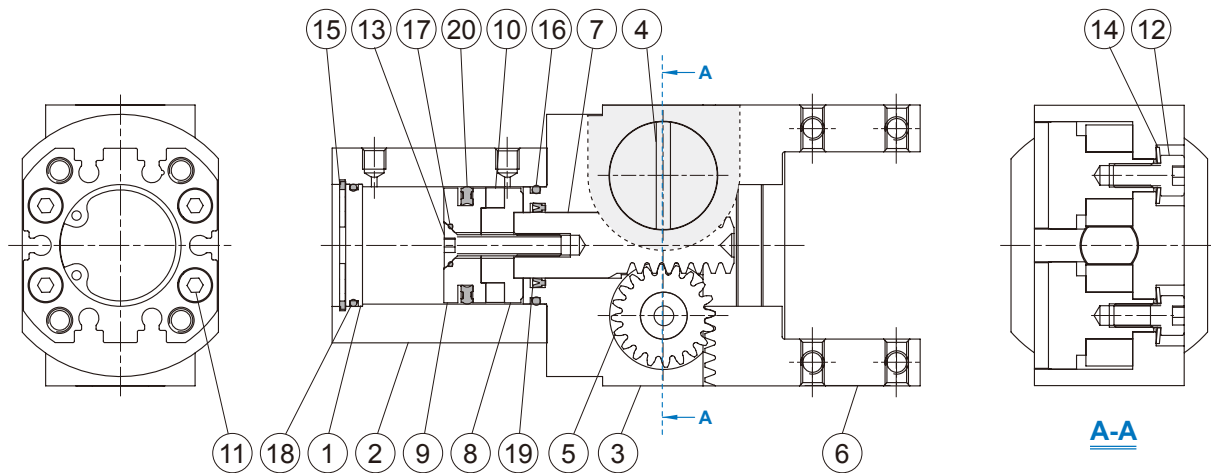
### Load limit



### Installation of sensor switch



Code Tube I.D.	Mr max. (Nm)	Mp max. (Nm)	My max. (Nm)	Fv max. (N)	Fr max. (N)
20	0.83	0.41	0.41	56.55	37.70
25	1.56	0.78	0.78	80.86	53.91
40	9.17	4.58	4.58	371.56	247.71



### Material

No.	Part name	Material	Q'y	Repair kits (inclusion)
1	End cover	Aluminum alloy	1	
2	Body	Aluminum alloy	1	
3	Finger rail	Aluminum alloy	1	
4	Pinion holder	Carbon steel	2	
5	Pinion	Alloy steel	2	
6	Finger	Alloy steel	2	
7	Piston rod	Alloy steel	1	
8	Magnet holder	Aluminum alloy	1	
9	Piston	Aluminum alloy	1	
10	Magnet ring	Magnet material	1	
11	Hexgon bolt (*)	Steel	2 or 4	
12	Hexgon bolt	Steel	2	
13	Countersink bolt	Steel	1	
14	Washer	Spring steel	2	
15	Snap ring	Spring steel	1	
16	O-ring	NBR	1	●
17	O-ring	NBR	1	●
18	O-ring	NBR	1	●
19	Rod packing	NBR	1	●
20	Piston packing	NBR	1	●

\* ø20 Q'y: 2 pcs, ø25 & ø40 Q'y: 4 pcs

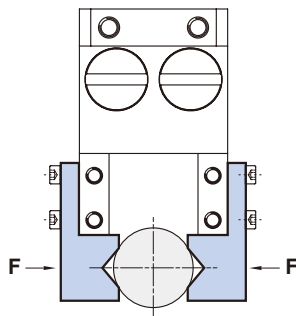
### Order example of repair kits

Tube I.D.	Repair kits
ø20	<b>PS-MCHH-20</b>
ø25	<b>PS-MCHH-25</b>
ø40	<b>PS-MCHH-40</b>

### Effective gripping force

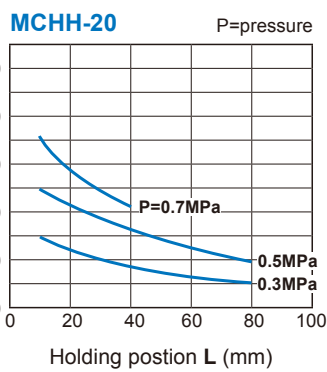
Indication of effective force.

The effective gripping force shown in the graphs to the right is expressed as F, which is the thrust of one finger, when both fingers and attachments are in full contact with the workpiece as shown in the figure below.

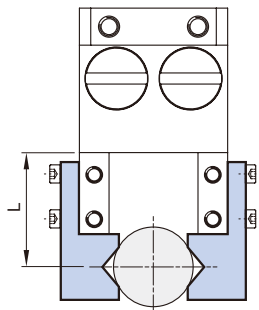
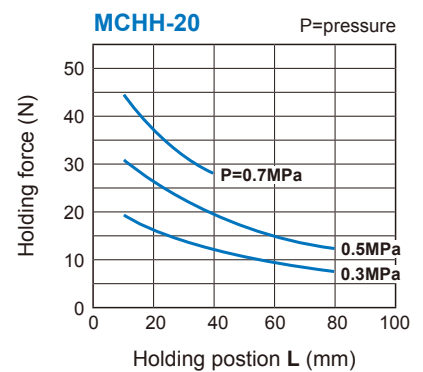


1N=0.102 kgf  
1MPa=10.2 kgf/cm<sup>2</sup>

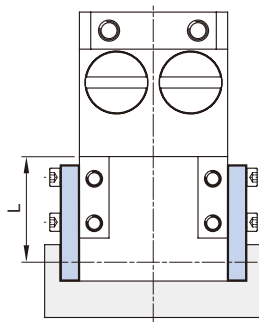
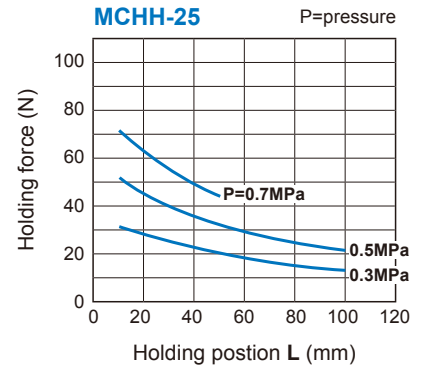
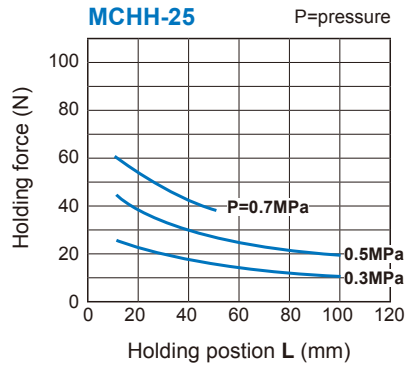
### External grip



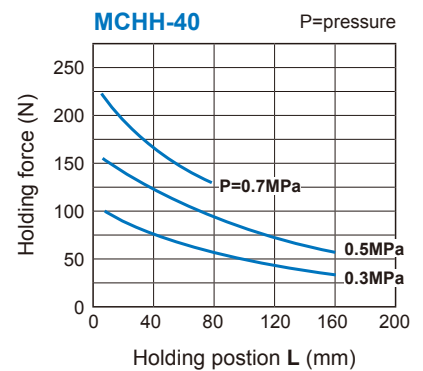
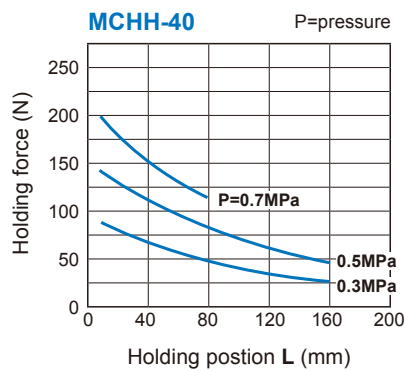
### Internal grip



External grip

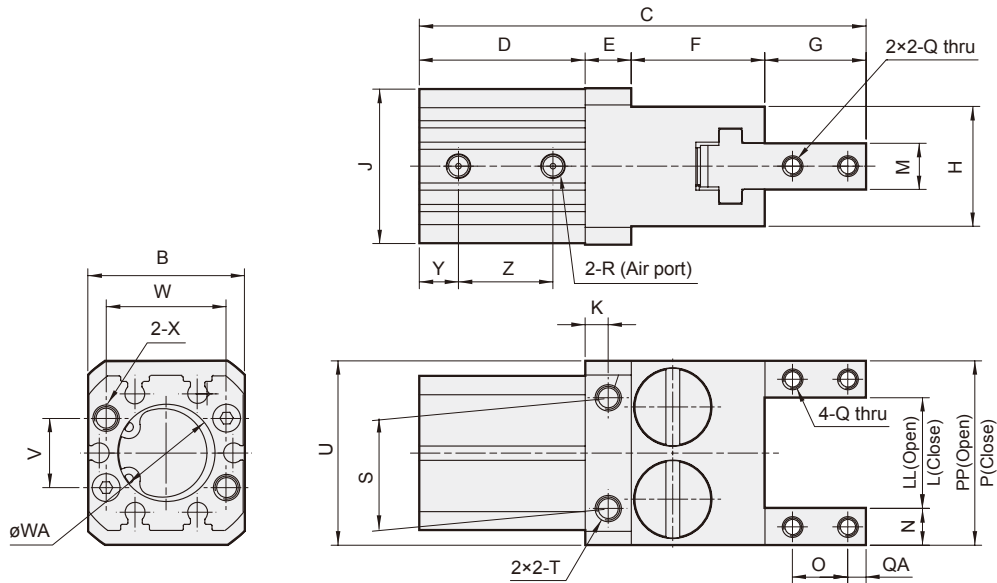


Internal grip

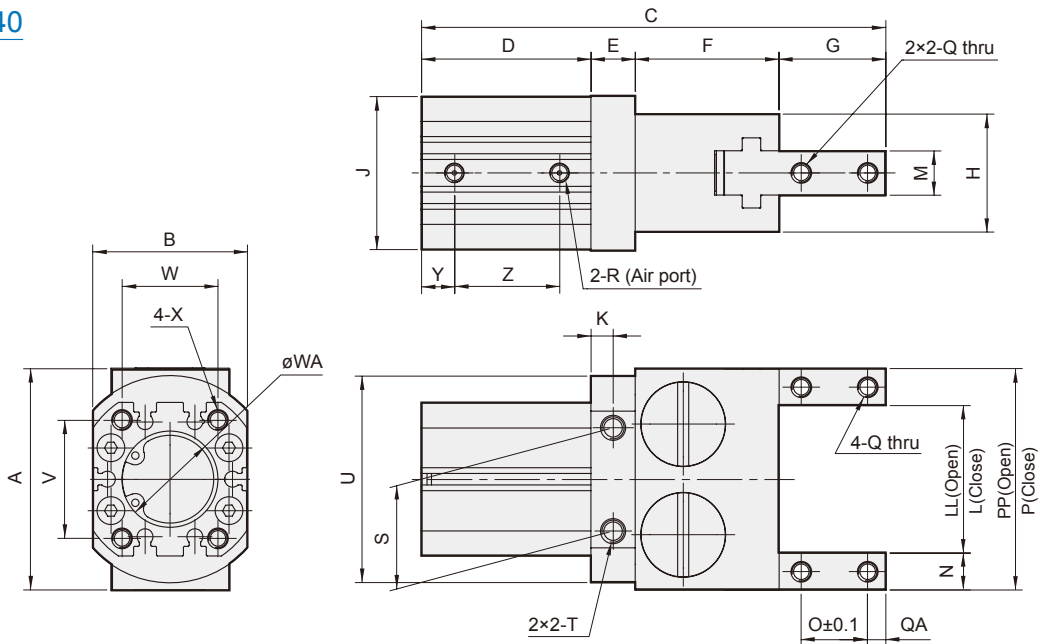


## PARALLEL GRIPPER (2-Finger)

### $\phi 20$



### $\phi 25, \phi 40$



Code Model	A	B	C	D	E	F	G	H	J	K	L	LL	M	N	O	P	PP	Q	QA	R	S	T	U
MCHH-20	-	34	97	36	10	29	22	26	33.5	5	8	24	10 <sup>-0.01/-0.06</sup>	8	12	24	40	M4×0.7	4	M5×0.8	24	M5×0.8×12 dp	40
MCHH-25	60	42	126	46	12	39	29	32	41.5	6	14	40	12 <sup>-0.01/-0.06</sup>	10	18	34	60	M5×0.8	5	M5×0.8	28	M6×1.0×14 dp	$\phi 56$
MCHH-40	92	60	167	57	15	58	37	38	58	8	26	68	14 <sup>-0.01/-0.06</sup>	12	20	50	92	M6×1.0	7	Rc1/8	42	M8×1.25×14 dp	$\phi 82$

Code Model	V	W	WA	X	Y	Z
MCHH-20	15	26	$\phi 22^{+0.05}_0 \times 1.5$ dp	M5×0.8×10 dp	8.5	20.5
MCHH-25	32	26	$\phi 26^{+0.05}_0 \times 1.5$ dp	M5×0.8×10 dp	9	28.5
MCHH-40	44	34	$\phi 42^{+0.05}_0 \times 2$ dp	M6×1.0×12 dp	11	28.5