

1

How to Order?

Series No	Bore	X	Stroke	Magnet No
EXH	6 10 16 20		5 10 15 ...	S : with magnet

Order Example:
EXH series, linear bearing, bore 6mm, stroke 10mm, EPR code is: EXH6X10-S

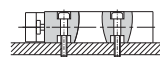
Specifications

Bore(mm)	6	10	16	20
Acting type	Double Acting			
Working medium	Clean Air(40 μ m filtration)			
Working pressure (MPa)	0.15-0.7			
Guaranteed pressure (MPa)	1.05			
Working temperature (°C)	-20-80(Dry air)			
Speed range (mm/s)	50-500			
Cushion type	Bumper			
Stroke tolerance(mm)	+1.0 0			
Allowable kinetic energy(J)	0.008	0.025	0.05	0.1
Port size	M5 x0.8			

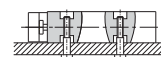
Bore (mm)	Standard stroke (mm)	Max. stroke (mm)
6	5 10 15 20 25 30 40	40
10	5 10 15 20 25 30 40 50	50
16	5 10 15 20 25 30 40 50 60	60
20	5 10 15 20 25 30 40 50 60	60

How to mount

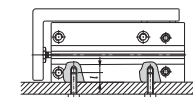
Lateral Mounting (Through Holes)



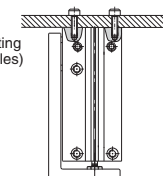
Lateral Mounting (Tapped Holes)



Vertical Mounting (Tapped Holes)

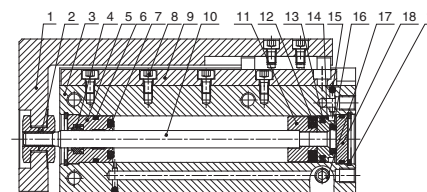


Axial Mounting (Tapped Holes)



1

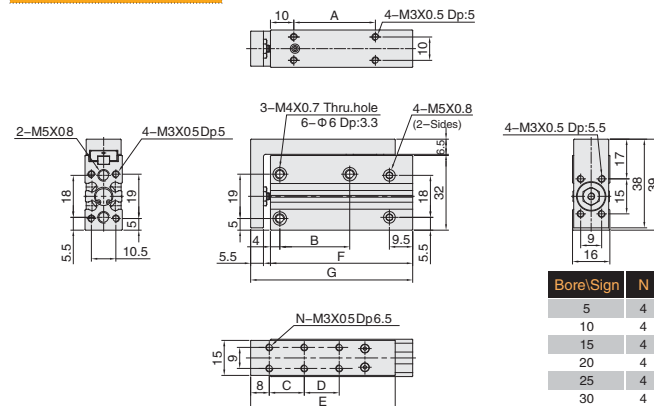
Internal structure



NO.	Part name	Material
1	Stages	Aluminum alloy
2	Locknut	Carbon steel
3	Body	Aluminum alloy
4	Wiper seal	NBR
5	Head cover	Aluminum alloy
6	O-ring	NBR
7	Bumper	TPU
8	Screws	Carbon steel
9	Linear ball slide rail	Stainless steel
10	Piston rod	Stainless steel
11	Magnet seat	Aluminum alloy
12	Magnet	Neodymium iron boron
13	Piston seal	NBR
14	Piston	Aluminum alloy
15	Steel ball	Stainless steel
16	Bumper	TPU
17	Plug	Cu
18	Rear cover	Aluminum alloy
19	C clip	Spring steel

Main Dimensions

EXH Φ6



Bore\Sign	N	A	B	C	D	E	F	G
5	4	10	14	10	-	42	36	44.5
10	4	15	14	10	-	42	41	49.5
15	4	20	24	20	-	52	46	54.5
20	4	25	24	20	-	52	51	59.5
25	4	30	30	30	-	62	56	64.5
30	4	35	30	30	-	62	61	69.5
40	6	45	45	20	20	72	71	79.5

Main Dimensions

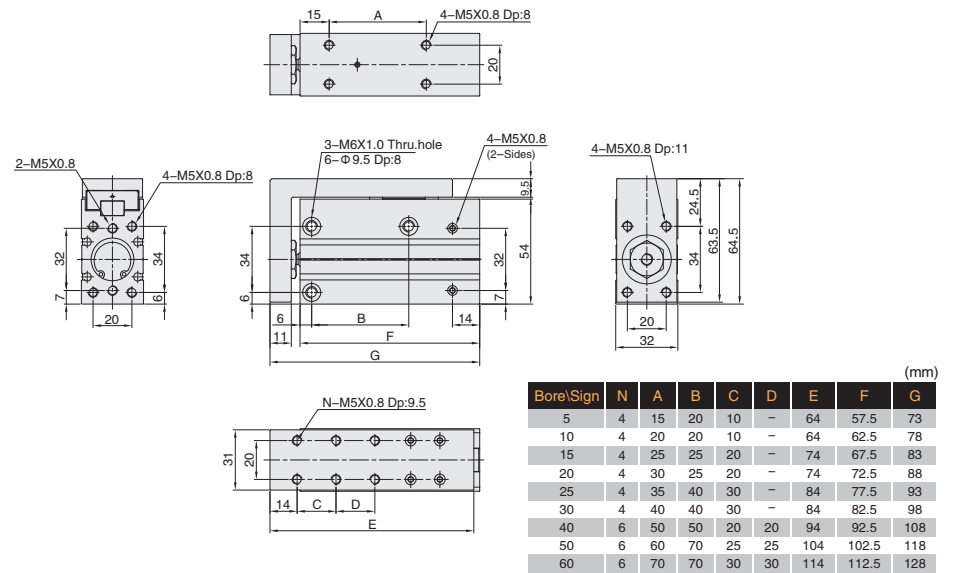
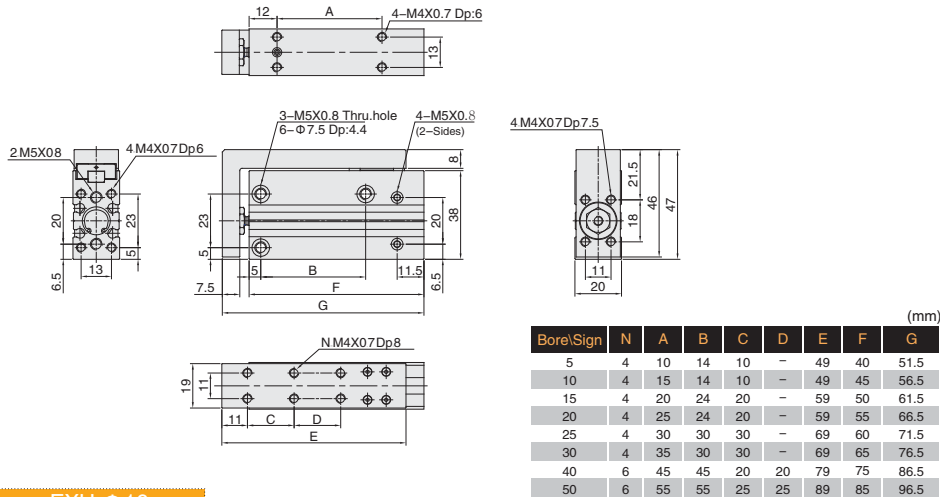
Main Dimensions

EXH $\Phi 10$

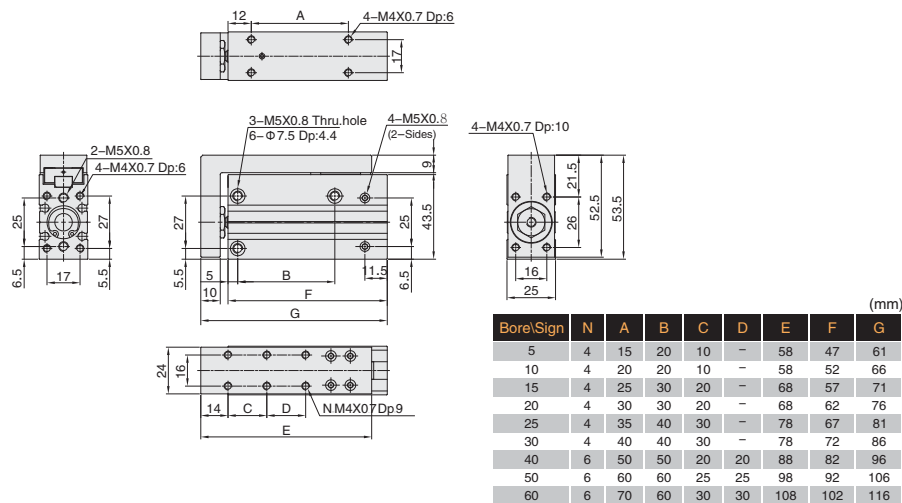
EXH $\Phi 20$

1

1

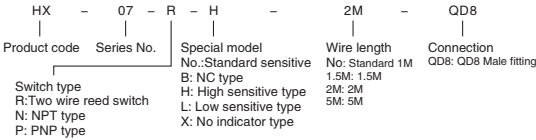


EXH $\Phi 16$



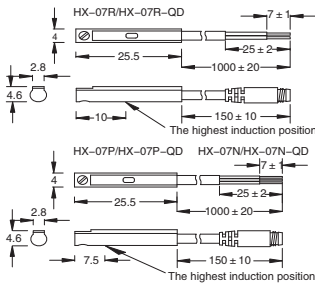


How to Order?

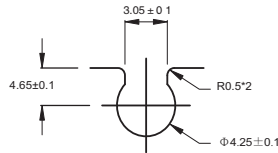


- Note: 1. Testing with standard magnet: $\Phi 15.5 \times \Phi 8 \times 5$ (Plastic magnet) ;
 2. Sine wave/X, Y, Z3 axial direction/ each axial direction three times/ each time 11ms;
 3. complex amplitude 1.5mm/10Hz-55Hz sweep frequency, last one minute/ each time X, Y, Z axial direction for one hour;
 4. 1=No/2=output short circuit protection/3=Power reverse connection protection/4=Surge absorption protection

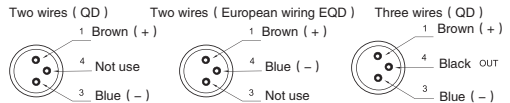
Dimensions



Groove dimension



OD fitting wiring



Specification

Type	HX-07R	HX-07RA	HX-07N	HX-07P
Connect Diagram				
Parameter				
Wiring method	2-Wire Type		3-Wire Type	
Switching logic	SPST Normally Open		Solid State Output, Normally Open	
Sensor type	Reed switch		NPN type (Input)	PNP type (Output)
Operating voltage	5-120V DC/AC	5-240V DC/AC	5-30V DC	
Max. switching current	100 mA max.		200 mA max.	
Contact rating	6 W max.	10 W max.	6 W max.	
Current consumption	None		20mA @ 24V DC max	
Voltage drop	2.5V max.		0.5V @ 200mA max	
Leakage current	None		0.01mA max.	
Indicator	Red LED	Green LED	Red LED	Green LED
Max. exchange frequency	200Hz		1000Hz	1000Hz
Temperature range			-10 ~ 70°C	
Shock	30G		50G	
Vibration			9G	
Enclosure classification			IEC 529 IP67 (NEMA 6)	
Protection circuit	None		Power reverse connection protection	Surge absorption protection
Cable	2.8Φ, 2C, Gray color, oil resistance PVC		2.8Φ, 3C, Black color, oil resistance PVC	